

**Type 1 /Class B AC power lightning protection M100B series  
MOV/MOV+GDT Technology**

**M100B2**

**M100B1+N**

**M100B3+N**

**M100B4**
**Description:**

M100 series power supply system AC module are mainly applicable to power distribution system for class I / type 1 protection, to protect electrical equipment from the impact of lightning electromagnetic pulse, induced over voltage, transient operation and resonance (less than 100  $\mu$ s) over voltage.

**Feature:**

Remote alarm,  
large discharge current,  
Quick response.  
Standardized module design, easy to install, simple for maintenance,  
Latest arcing technology, avoid fire accident thoroughly  
Special impact fuse with high reliability  
International famous core component with excellent performance

**Application**

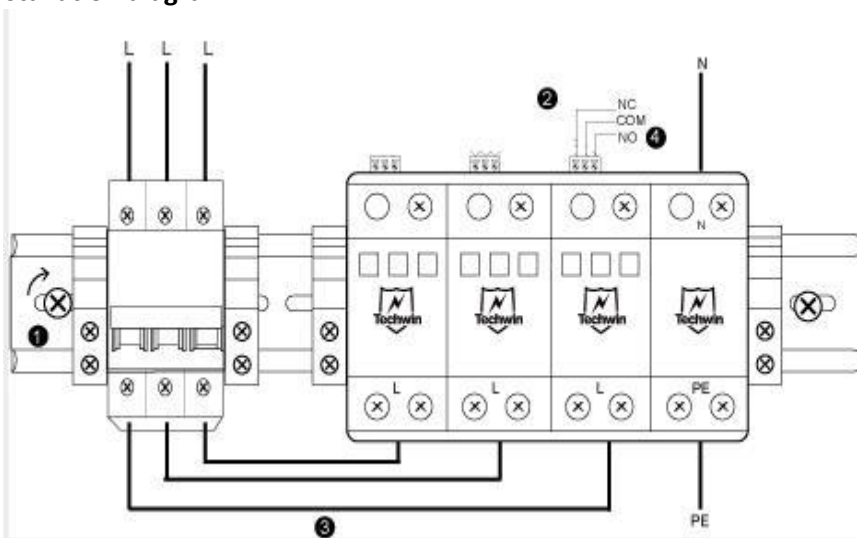
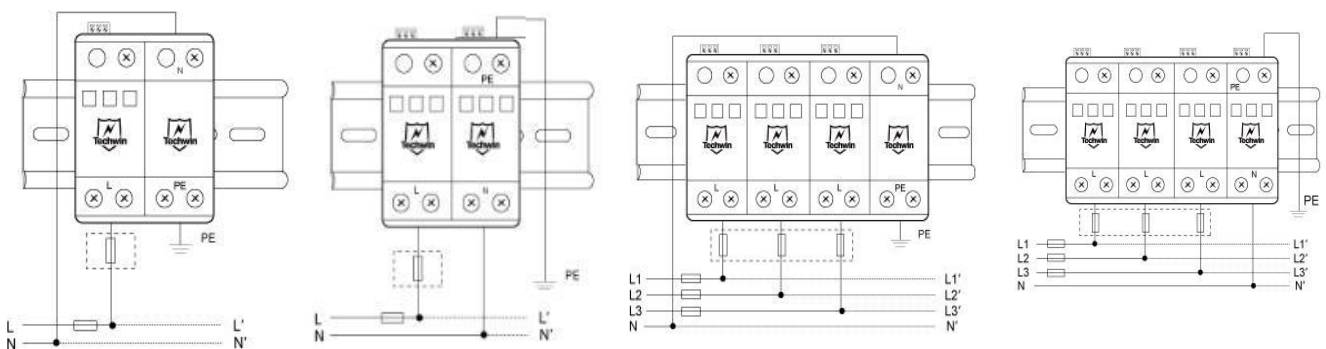
Type1 class I Surge Protective Device for AC Power System.

- Sensitive electronic equipment
- Telecom centers
- Automatic control centers
- Intelligent buildings
- Industrial enterprises
- Medical institutes

**Technical parameters**

Model	M100B1	M100B2	M100B1+N	M100B4	M100B3+N
Lightning protection zone(LPZ)	1-2				
Standards Compliance	IEC61643-11, EN60950				
Classification	Class I /Type 1				
Nominal working voltage Un	220V			385V	
Max continuous operating voltage Uc	385V				
Nominal discharge current (8/20 $\mu$ s) In	50KA				
Max discharge current Imax (8/20 $\mu$ s) Im	100KA				

Follow current interrupt rating Ifi	25KArms/100Arms				
Short-Circuit Current Rating Isccr	25KA				
Temporary overvoltage (TOV)(L-N) Ut	440 V / 120 min. – withstand				
Temporary overvoltage (TOV) [N-PE) Ut	1200 V / 200 ms – withstand				
Protection level @40kA , 8/20μs Up	2100V				
Protection level @20kA , 8/20μs Up	1500V				
Response time tA (L-N/N-PE)	25ns/100ns				
Protection model	L-PE	L/N-PE	L-N, N-PE	L1/L2/L3,N-PE	L1/L2/L3-N,N-PE
Dimension	90 (H)×36(W)×65(L) mm	90 (H)×72(W)×65(L)mm		90 (H)×144(W)×65(L)mm	
Mounting	DIN rail Mounting 35mm				
IP code	IP20				
Working conditions	Temperature: -40 to 80°C, Relative humidity: ≤95%				

**Installation diagram**

**Wiring diagram**

**M100B1+N**
**M100B2**
**M100B3+N**
**M100B4**