



Signal SPD Series

3 in 1 Networking monitoring surge protector

RJ45 /connector 5KA 5-12V



Description

3 in 1 monitoring surge protector is designed for IP camera with PTZ control and other control equipment, protecting power, network& control line from lightning electromagnetic pulse, induced over voltage, and operating over voltage.

Features of Signal SPD series

- Comprehensive protection for power, control & video signal of camera with little disturbance
- Large discharge current and low residual voltage
- Multi-tier protection
- Low insertion loss, perfect transmission performance and without leakage current

Application Of Signal SPD Series

- Monitor equipment(power, PTZ, camera) of surveillance system
- Bank monitoring system
- Security system of school, enterprise and road

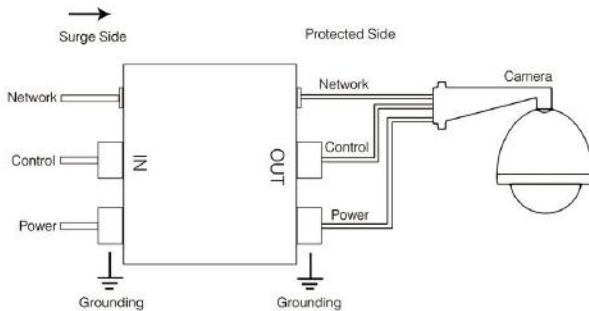
Specification

Model	M10-220/D05J4/D12Y2	M10-220/D05J4/D12Y6
Lightning projection zone(LPZ)	2	
Standards Compliance	IEC61000, EN60950	
According to IEC61643	III	
According to DIN VDE6075 Part6(Draft 11.89) A1,A2	D	
Max continuous operating voltage Uc	Network:5V Control:12V	
Nominal discharge current (8/20μs) In	3KA	



Max discharge current I _{max} (8/21μs) I _{max}	5KA
Transmission rate	Network:100Mbps Control:10Mbps
Limiting Voltage(10/700μs)component wire-Enclosure	Network:20V control ≤:40V
Interface form	Network:RJ45 Control: Clamped type
Nominal working voltage(U _n)	220V AC
Max continuous operation voltage(U _c)	275V AC
Nominal discharge current I _{max} (8/20μs)	5kA
Max discharge current I _{max} (8/20μs)	10kA
Load current	0.5A
Protection level Up (I _n)	800V
Response time (T _a)	25ns
Mounting	Be Installed between protected equipment and signal line
Working conditions	Clamped type
Dimension	88*68*38mm(No terminal and rail) 137*82*35mm
Interface form	Clamped type
Standards Compliance	IEC61643-1, EN60950,GB/T18802.21-2002,TB/T2311-2002, YD/T1235.2
IP code(IEC EN 60529)	IP20
Error rate	≤10 ⁻¹²
Material/color	Aluminum/Blue
Insertion loss	≤.0.5dB
Working conditions	Temperature: -40 to 85°C, Relative humidity: ≤95%

Installation And Wiring Diagram of M10-220/D05J4/D12Y2



M10-220/D05J4/D12Y2