

Techwin TVSS 100kA surge protection device (SPD) for AC power system



HM100F Series AC power supply SPD box is mainly applicable to three phase power distribution system to protect electrical equipment from the impact of lightning overvoltage, transient overvoltage lightning electromagnetic pulse induced voltage, transient operation and resonance(<math><100\mu\text{s}</math>) over voltage. HM100F2N-H AC power supply SPD box is widely used in the areas of communication device, electrical equipment, security, transportation, industrial control and aviation for power protection.

Feature:

- Thermal disconnect device
- Heat turn-off technology
- Temperature control to protect circuit.
- Status indicators
- Remote alarm contact, easy to remote control
- Easy to install and simple for maintenance
- International famous brand for core component with excellent performance.

Application

- Type 2/3 Surge Protective Device for AC Power System.
- Power distribution box(cabinet); AC cabinet; Column head cabinet; Charging station/charging point
- Communication Base Station
- Telecom centers
- Automatic control centers
- Intelligent buildings
- Industrial enterprises
- Medical institutes
- IT,TT,TN-C,TN-S,TN-C-S and other power supply system.

Technical parameters

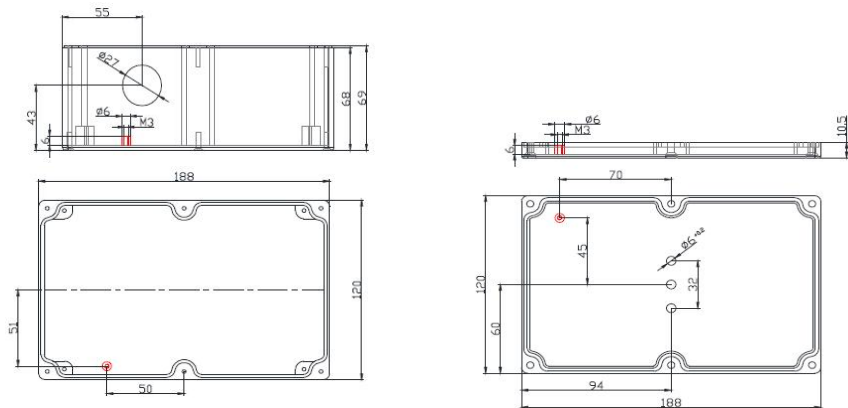
Model		HM100F3N-HU	HM100F2N-H	HM100F1N-H(P)
Standards Compliance		UL 1449 4th Edition, IEC61643-11		
SPD type		2		3
Phase		3Y (4W+G)	3Y (3W+G)	1 (2W+G)
The rated operating voltage V		220/127VAC,	220 / 127VAC	110V
The maximum continuous operating voltage Mcov	L-L	360V	360V	\
	L-N	180V	180V	160V
	L-G	180V	180V	160V
	N-G	180V	180V	160V
	L-L	1500V	1500V	\



Voltage protection Rating(VPR)	L-N	900V	900V	900V
	L-G	1500V	1500V	900V
	N-G	800V	800V	900V
Nominal Discharge Current Rating In	20kA			
Surge capacity per phase	100KA			
Short Circuit Current Rating Isccr	65 kA	65KA	\	
Response Time Ta	25ns			
Temperature & Humidity rating	Temperature: -20 to 80°C, (-4-176F) Relative humidity: ≤95%			
Mounting style	Parallel hardware			
Alarm Type	Visual& Remote signal			
Connection terminal(Alarm) hardware	#26 AWG			
Connection terminal(SPD) hardware	10 AWG for L/N, 8 AWG for Grounding			
Dimension(Inches)	7.4*4.72*3.07 (L*W*H)			5.91(7.48)*4.72*2.26 (L*W*H)
BOX Type	Aluminum			QMFZ2

Product Diagram:

HM100F3N-HU/ HM100F2N-H



HM100F1N-H(P)

